

# TTG 1600 FS



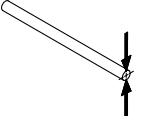
Spare Parts List

TIG Manual welding torch





4,035,858 TTG1600A-Pot FS/4m  
 4,035,858,635 TTG1600A-Pot FS/4m System  
 4,035,859 TTG1600A-Pot FS/8m  
 4,035,860 TTG1600A-Pot F/FS/4m  
 4,035,861 TTG1600A-Pot F/FS/8m  
 4,035,978 TTG 1600A FS/TL/4m  
 4,035,979 TTG 1600A FS/UD/4m

	Ø mm	Ø inch
	1,0-3,2	.039-.126

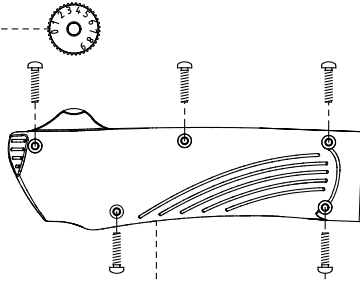


**TTG 1600A - POT FS**

Ersatzteilliste / Spare parts list / Listes de pièces de rechange / Lista de repuestos / Lista de peças sobresselentes / Lista dei Ricambi

1/4

42,0001,5359



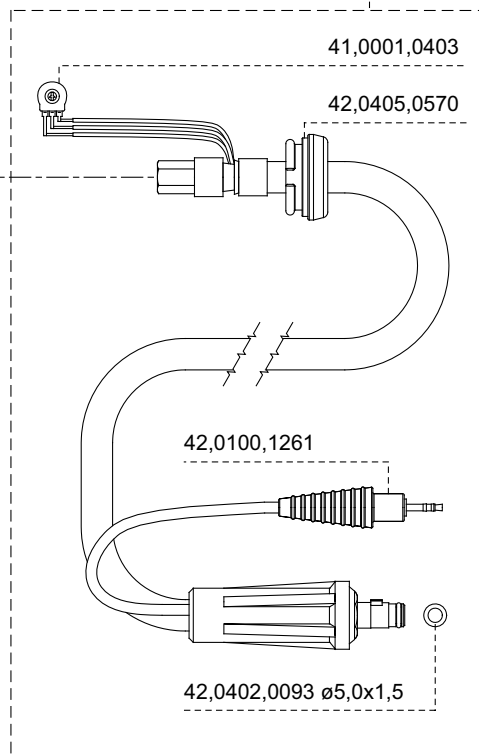
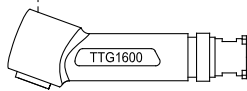
42,0405,0566 R/L

5x 42,0401,0936

43,0004,3833 8m

43,0004,3832 4m

34,0350,2105 TTG1600A  
34,0350,2106 TTG1600A,F



TTG 1600A - POT FS

Ersatzteilliste / Spare parts list / Listes de pièces de rechange / Lista de repuestos / Lista de peças sobresselentes / Lista dei Ricambi

2/4

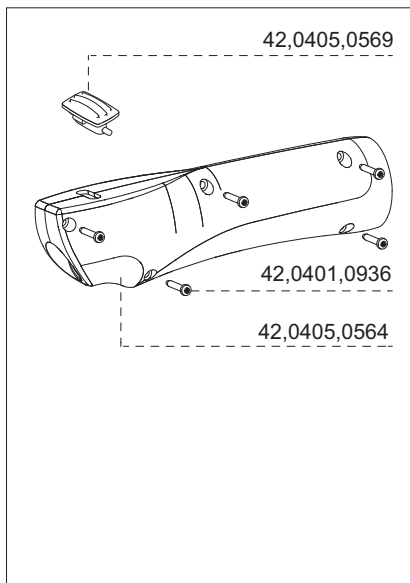
4204150295\_01

012016

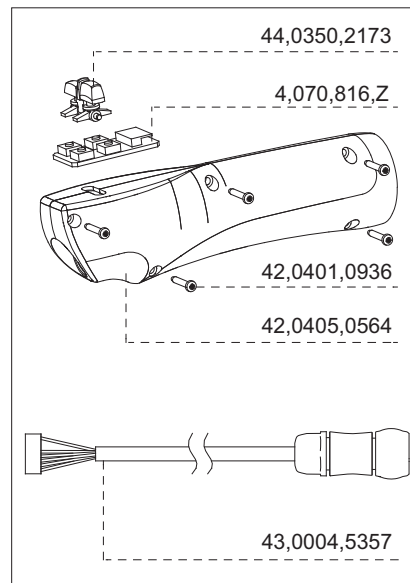
4,035,978  
4,035,979

TTG 1600 A FS/TL/4m  
TTG 1600 A FS/UD/4m

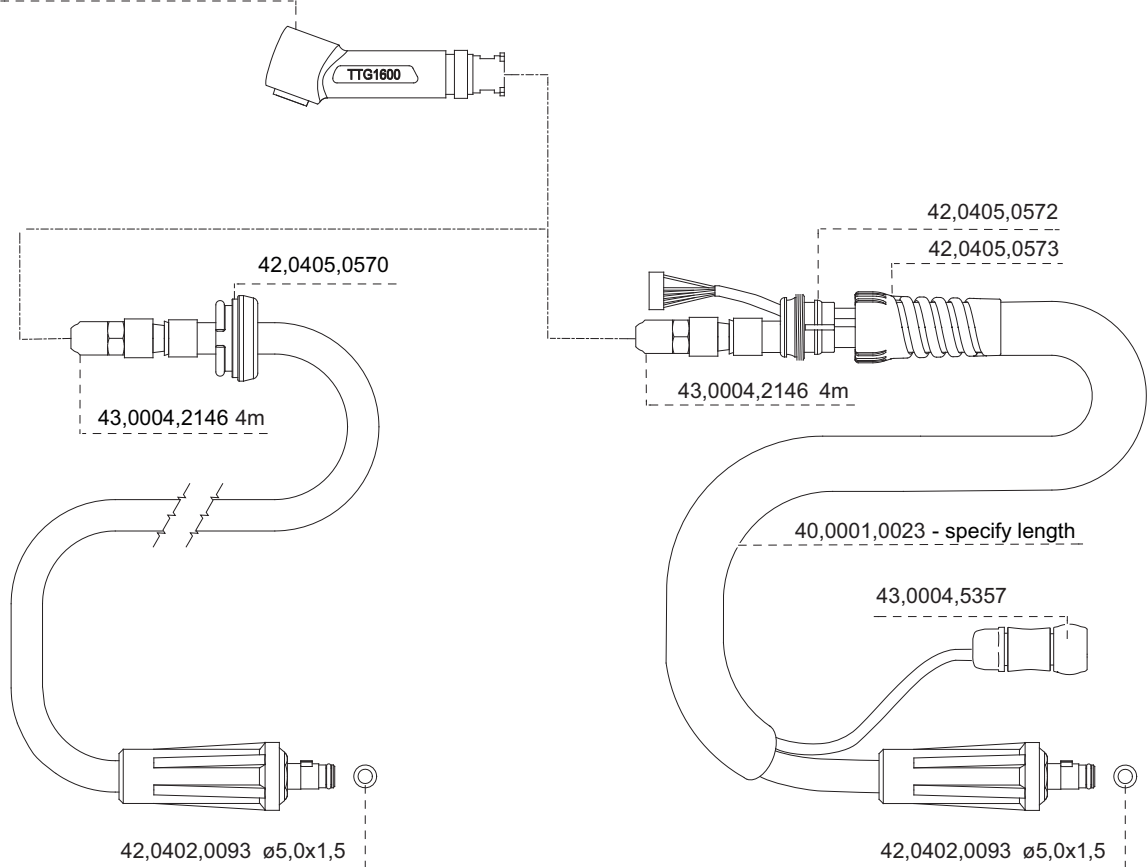
TL



UP/DOWN



34,0350,2105 TTTG1600A  
34,0350,2106 TTTG1600A,F



TTG 1600A - POT FS

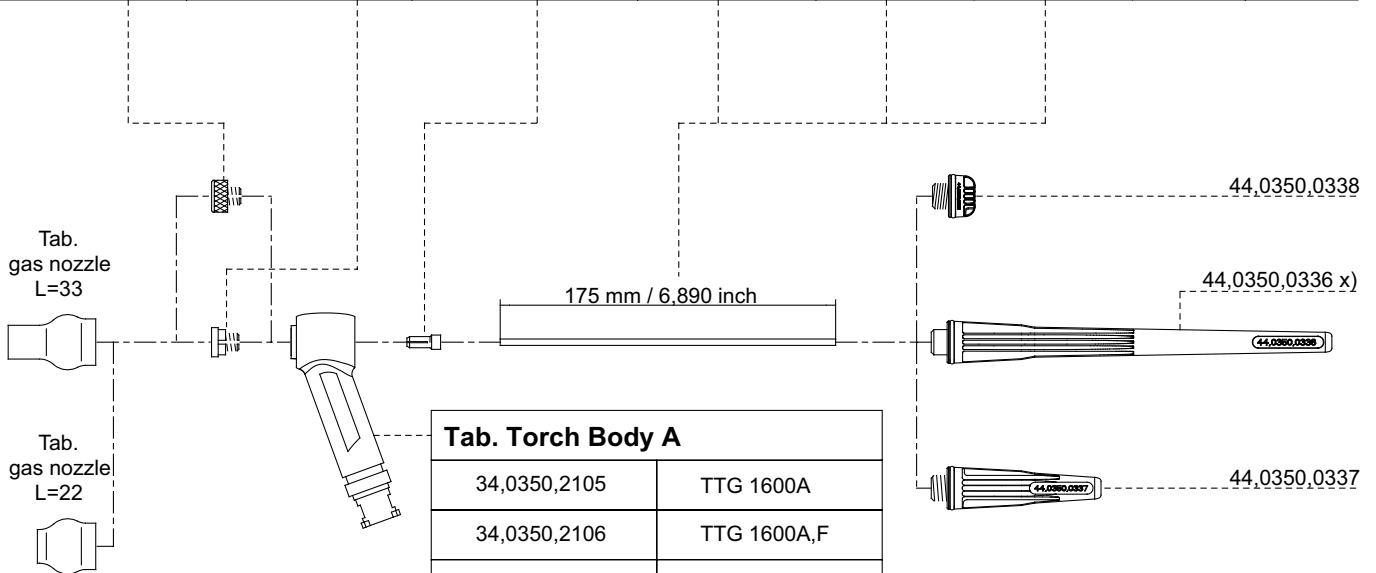
Ersatzteilliste / Spare parts list / Listes de pièces de rechange / Lista de repuestos / Lista de peças sobresselentes / Lista dei Ricambi

3/4

4204150295\_01

012016

Part No. gas lens	Part No. clamping nut	Part No. collet	Part No. electrode WC20	Part No. electrode WP	Part No. electrode WS2	Electrode Ø	
						Ømm	Øinch
44,0350,1500	42,0001,0692	42,0001,1148	42,0411,4012			1,0	.039
44,0350,1501	42,0001,0693	42,0001,1149	42,0411,4001	42,0411,4008	42,0411,0161	1,6	.063
44,0350,1460	42,0001,0694 x)	42,0001,1150 x)	42,0411,4002 x)	42,0411,4005	42,0411,0162	2,4	.094
44,0350,1461	42,0001,0695	42,0001,1151	42,0411,4003	42,0411,4006	42,0411,0163	3,2	.126



Tab. Torch Body A	
34,0350,2105	TTG 1600A
34,0350,2106	TTG 1600A,F
44,0350,2546	TTW 2500A
44,0350,2547	TTW 2500A,F
34,0350,2114	TTW 3000A
34,0350,2115	TTW 3000A,F

- x) Standardausüstung
- x) standard equipment
- x) équipement standard
- x) equipamiento estándar
- x) accessori standard
- x) equipamento de série

gas nozzle ceramic plugable L=33	Part No.	gas nozzle ceramic plugable L=22	Part No.	d1		d2	
				mm	inch	mm	inch
33mm / 1,299inch	42,0300,0820	22mm / 0,866inch	42,0300,0816	6,4	.252	21,0	.827
	42,0300,0821		42,0300,0817	7,9	.311	21,0	.827
	42,0300,0822 x)		42,0300,0818	9,5	.374	21,0	.827
	42,0300,0823		42,0300,0819	11,1	.437	21,0	.827

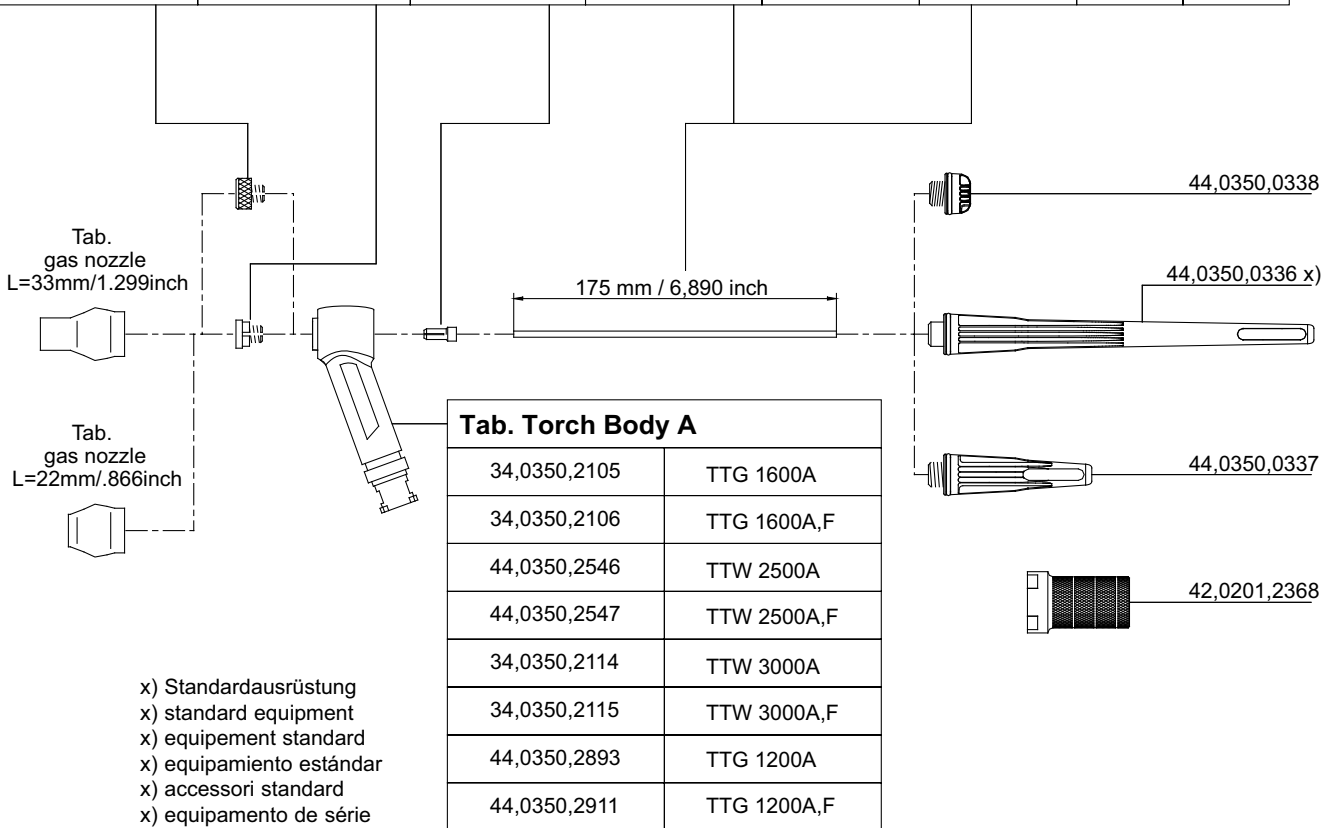


TTG 1600A - POT FS

Ersatzteilliste / Spare parts list / Listes de pièces de rechange / Lista de repuestos / Lista de peças sobresselentes / Lista dei Ricambi

# A-System

Part No. gas lens	Part No. clamping nut	Part No. collet	Part No. electrode WC20	Part No. electrode WP	Part No. electrode WS2	Electrode Ø	
						Ø mm	Ø inch
44,0350,1500	42,0001,0692	42,0001,1148	42,0411,4012			1,0	.039
44,0350,1501	42,0001,0693	42,0001,1149	42,0411,4001	42,0411,4008	42,0411,0161	1,6	.063
44,0350,1460	42,0001,0694 x)	42,0001,1150 x)	42,0411,4002 x)	42,0411,4005	42,0411,0162	2,4	.094
44,0350,1461	42,0001,0695	42,0001,1151	42,0411,4003	42,0411,4006	42,0411,0163	3,2	.126



gas nozzle ceramic plugable L=33mm/1.299inch	Part No.	gas nozzle ceramic plugable L=22mm/.866inch	Part No.	d1		d2	
				mm	inch	mm	inch
	42,0300,0820		42,0300,0816	6,35	.250	20,8	.819
	42,0300,0821		42,0300,0817	8,0	.315	20,8	.819
	42,0300,0822 x)		42,0300,0818	9,5	.374	20,8	.819
	42,0300,0823		42,0300,0819	11,1	.437	20,8	.819



## Wearing parts TTG 1600 / 1200 TTW 2500 / 3000 A F

Ersatzteilliste / Spare parts list / Listes de pièces de rechange / Lista de repuestos / Lista de peças sobresselentes / Lista dei Ricambi

1/1



**FRONIUS INTERNATIONAL GMBH**

Froniusplatz 1, A-4600 Wels, Austria  
Tel: +43 (0)7242 241-0, Fax: +43 (0)7242 241-3940  
E-Mail: [sales@fronius.com](mailto:sales@fronius.com)  
[www.fronius.com](http://www.fronius.com)

**[www.fronius.com/addresses](http://www.fronius.com/addresses)**

Under <http://www.fronius.com/addresses> you will find all addresses  
of our Sales & service partners and Locations.